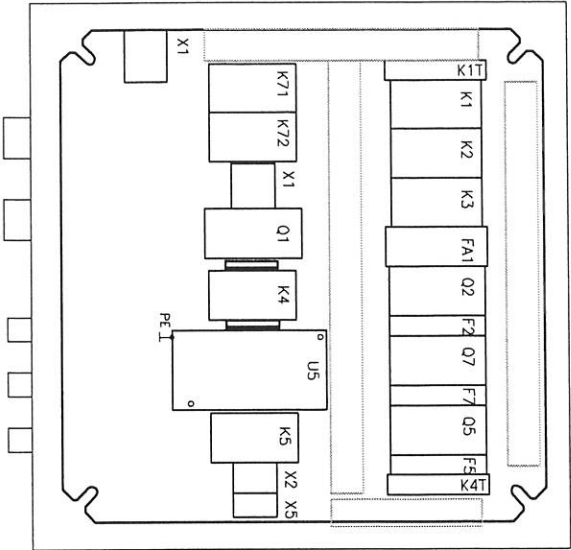
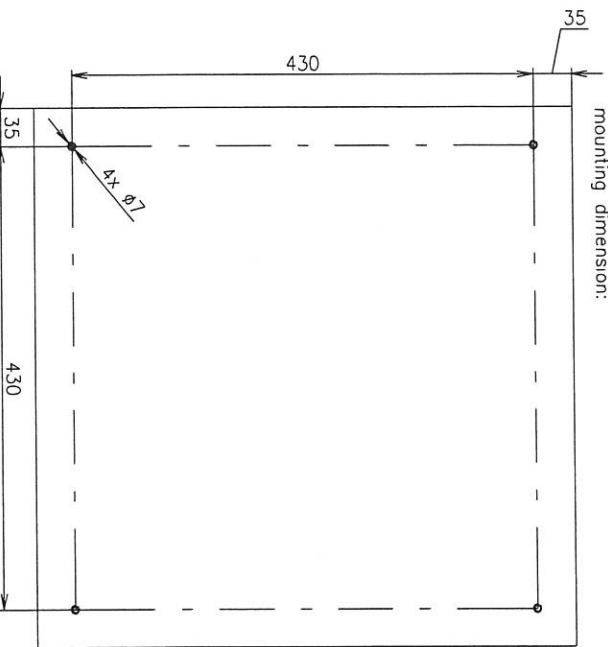
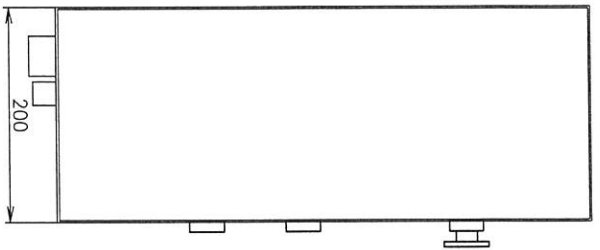
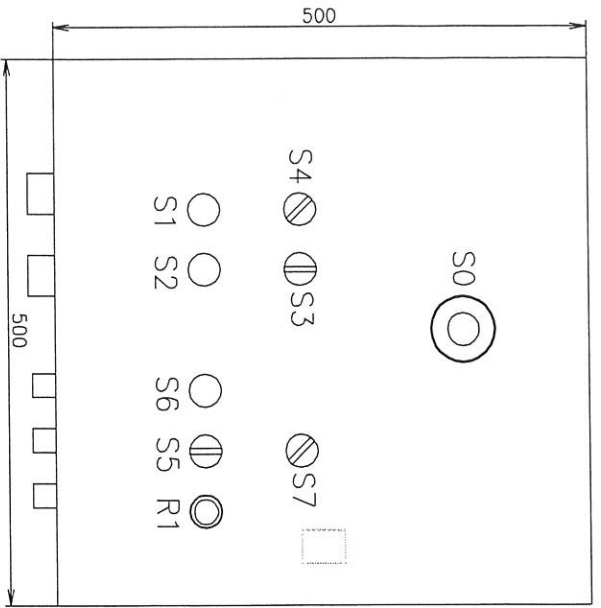


FLEXIFEED-RBK-FFS + SU + LK -400V AC

M 1:5



FLEXIFEED RBK-FFS + SU + LK -7,5kW 400V AC

POWER SYSTEM 3PEN AC 50Hz 400 V
 RATED VOLTAGE 400 V AC 50Hz
 RATED CURRENT 25 A
 RATED VOLTAGE OF AUXILIARY CIRCUITS 2 AC 50Hz 230 V

PROTECTION IP54/IP20
 WEIGHT 20 kg

CIRCUIT DIAGRAM 3E-9388-00-06/1,2-poge 1÷2

ČSN EN 61439-1,-3, ed.2:2012
 idt. IEC 61439-1,-3:2011

CABLE 3E-03/994c, 3E-53/908d

| Revision | Revision |
|----------|----------|
| | |
| | |
| | |
| | |

Prepared by Kalořka
 Agreed by Mohr
 Date 23.04.18
 Assembly place SERIGSTAD AS, Norway

Order No. 89-9388-01-02
 Ident. cp9388.dwg
EMCOS s.r.o.
 Nákladní 834, 415 01 TĚPLICE, CZ
 emcos@emcos.cz, tel/ +420 417533521

Title **FLEXIFEED RBK-FFS+SU+LK-7,5kW**
400V AC TYPE 7466834
 View
 Drawing No. **3E-9388-00-04/1**
 Index

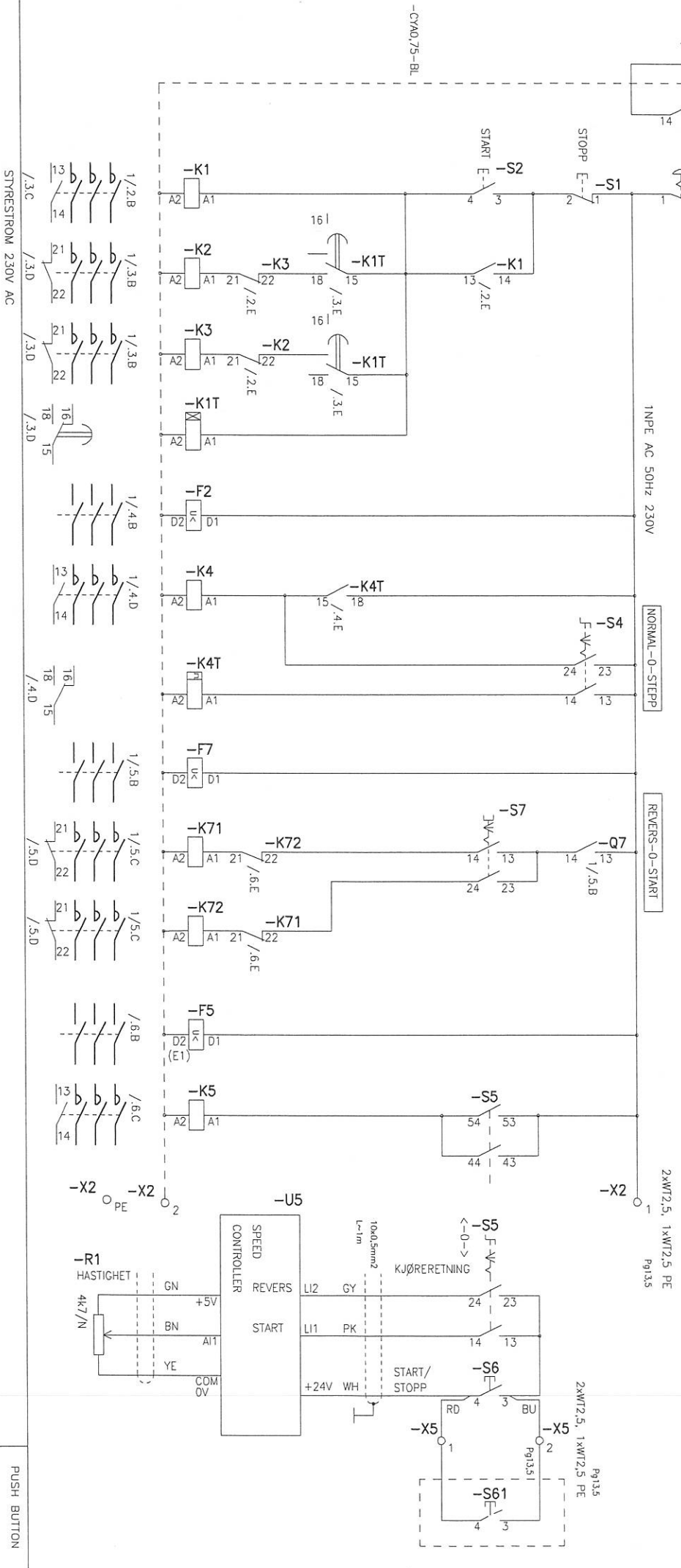
-U5

POWER SETTING:
CONF
NPR
MAX. 0,75 kW

CURRENT SETTING:
CONF
NCR
MAX. 3,6 A

REVERS SETTING:
CONF
FULL
FULL-
RS
L2H
ENTER

| | | | |
|------------|-----------------------------|--------|--------------------------|
| K1, K2 | LC1-D18 P7 | S0 | ZB5-AS844, ZBE-102 (NC) |
| K3 | LC1-D09 P7 | S1 | ZB5-AA4, ZBE-102 (NC) |
| K4, K5 | LC1-D09 P7 | S2 | ZB5-AA3, ZBE-101 (NO) |
| K71, K72 | LC1-D09 P7+IAD9RIV | S3 | K15E 54602Z |
| Q1 | GV2-ME14 (6-10A), GV-AE1 | S4, S7 | ZB5-AD3, 2x ZBE-101 (NO) |
| Q2 | GV2-ME07 (1,6-2,5A) | S5 | ZB5-AD3, 4xZBE-101 |
| Q5 | GV2-ME08 (2,5-4A) | S6 | ZB5-AA2, 1xZBE-101 |
| Q7 | GV2-ME07 (1,6-2,5A), GV-AE1 | S81 | PF 1405 1000, 1NO |
| F2, F7, F5 | GV-AU225 (220-240VAC) | R1 | M22S-RAK7 (4K7/N) |
| FA1 | i:G60H-B6A, 2P | U5 | ATV12H037M2 (230V) |
| K1T | RE17 RA MU (10s, 24-230VAC) | X2 | WT2.5, WT4 PE |
| K4T | RE17 RL MU (24-230VAC) | X5 | WT2.5, WT4 PE |

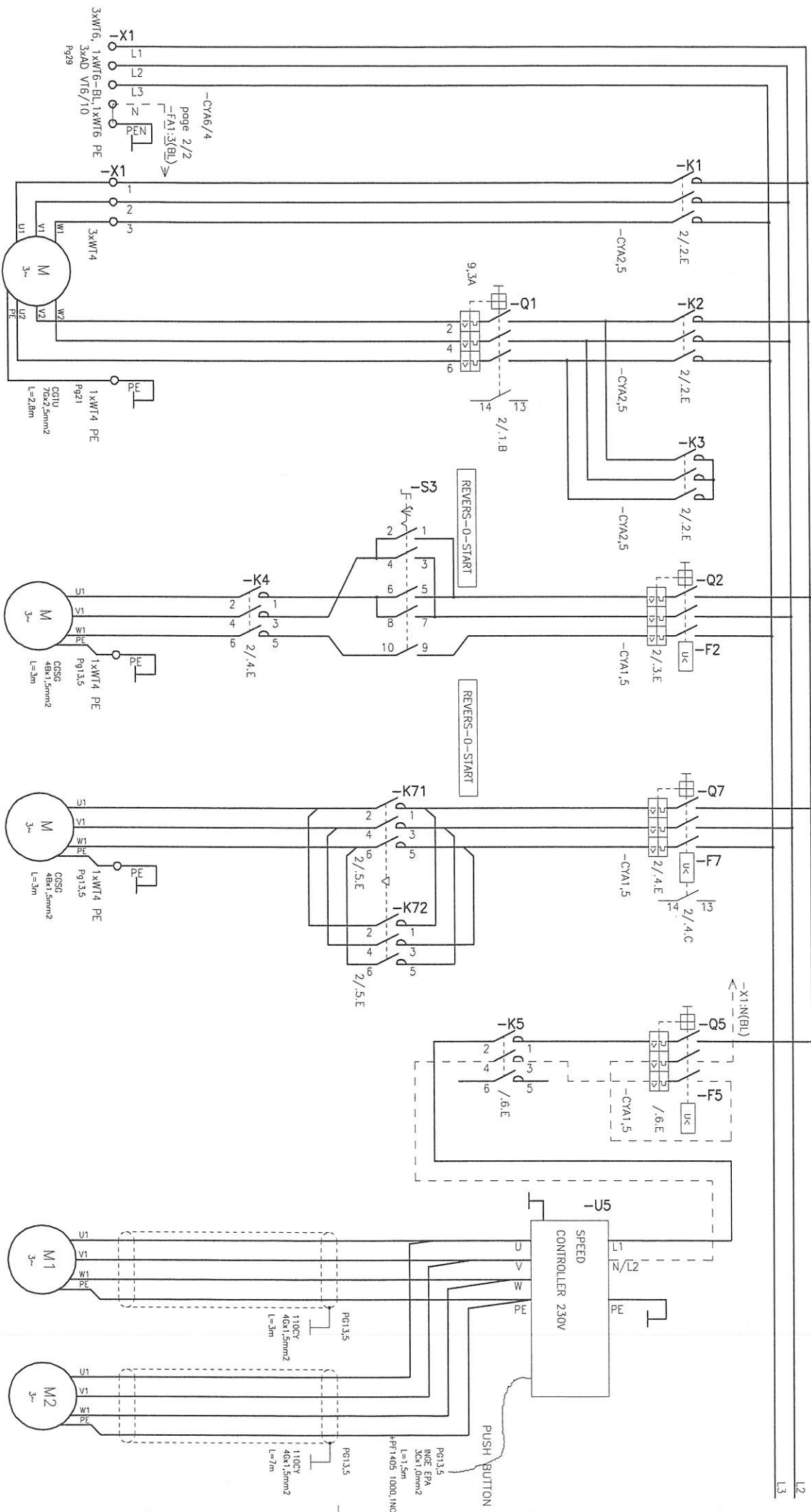


| | | | | | | | | | | |
|----------|----------|----------------|----------------------|-----------|------------|------------------------|---|---------|-------------|-------|
| Revision | Revision | Prepared by | Kolada | Order No. | 89-9388-00 | EMCOS S.T.O. | Title | 7466834 | Drawing No. | Index |
| | | Agreed by | Sebek | Ident. | sg388.dwg | | | | | |
| | | Date | 23.4.2018 | | | | FMS-7,5kW+SU+LOPEKATIER 400VAC (7466833+LK) | | | |
| | | Assembly place | SERIGSTAD AS, Norway | | | | (STYRESTROM 230V AC) | | | |
| | | | | | | | Circuit diagram | | | |

STYRESTROM 230V AC

PUSH BUTTON

3E-9388-00-06/1-page 2/2



| | | | |
|------------------------|----------------------|---|-------------------------------|
| Revision | | Revision | |
| 3x400 V AC / max. 25 A | RUNDBALLEKUTTER | 7.5 kW | KABEL HOVEDMOTOR 400VAC-7.5kW |
| STROMTILFORSEL | 3E-03/994c TYPE "A" | 0.75 kW | KABEL F.TRANSSPORTBELT 400VAC |
| | TRANSSPORTBELT | 0.75 kW | KABEL SIDEUTMATER 400VAC |
| | 3E-03/994c TYPE "A" | 0.75 kW | KABEL SIDEUTMATER 400VAC |
| | 3E-03/994c TYPE "B" | 0.75 kW | KABEL SIDEUTMATER 400VAC |
| | 3E-03/994c TYPE "B" | 0.75 kW | KABEL SIDEUTMATER 400VAC |
| Prepared by Kjalda | Order No. 89-9388-00 | Title STYRESKAP FLEXIFEED | |
| Agreed by Sebek | Ident. s9388.dwg | FFS-7.5kW+SU+LOPEKATTER 400VAC (7466833+LK) | |
| Date 23.4.2018 | | 7466834 | |
| Assembly place | SERIGSTAD AS, Norway | Drawing No. 3E-9388-00-06/1-page 1/2 | |
| | | Index | |